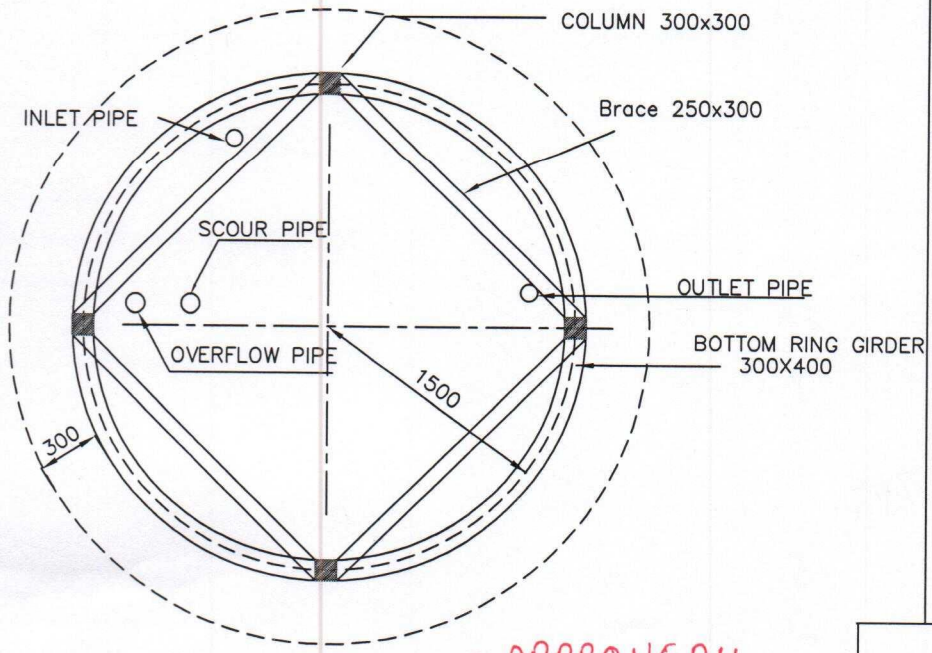


SECTIONAL ELEVATION



PLAN

NOTES

1. Grade of Concrete : M30
2. Grade of Steel : Fe500
3. Clear minimum cover
 - a) Water face:
 - Side walls : 45MM
 - Top & Bottom slabs : 45MM
 - Beams : 45MM
 - b) Away from Water face:
 - Side walls : 25MM
 - Top & Bottom slabs : 25MM
 - Beams : 25MM
 - c) Columns : 40MM
 - d) Footings : 50MM
4. All dimension are in 'mm' unless specified.
5. The steel should not be overlapped at the junction points
6. Not more than 1/2rd of the bars should be curtailed at a given section
7. Suitable PVC pipe casing has to be Provided in the staircase column up to the top, for installation of lightening Arrester.
8. Seismic Zone : II
9. Wind speed : 44 m/s (Wind pressure: 1.6 kN/m²)
10. free board: 0.15m
11. Dead storage : 0.15m
12. Total staging is 12m and has to be adjusted in last staging
13. The bottom Brace is considered at a height of 2m from top of the Raft ring beam.
14. For detailing of reinforcement IS SP-34 shall be followed .

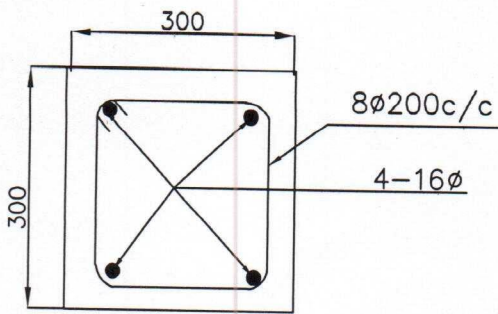
Government of Telangana.

Rural Water Supply & Sanitation Department

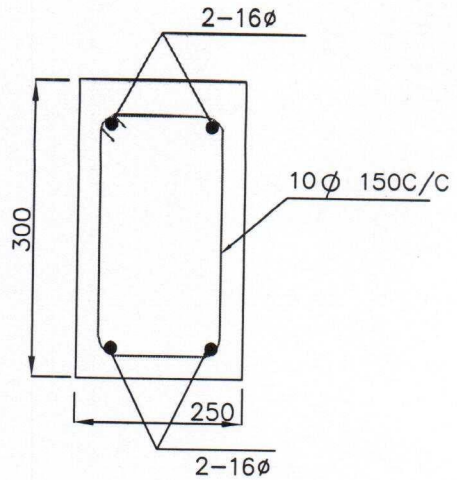
Construction of 10 KL capacity OHSR/OHBR 12m staging column type

Scale: Not to scale sheet 1 of 2

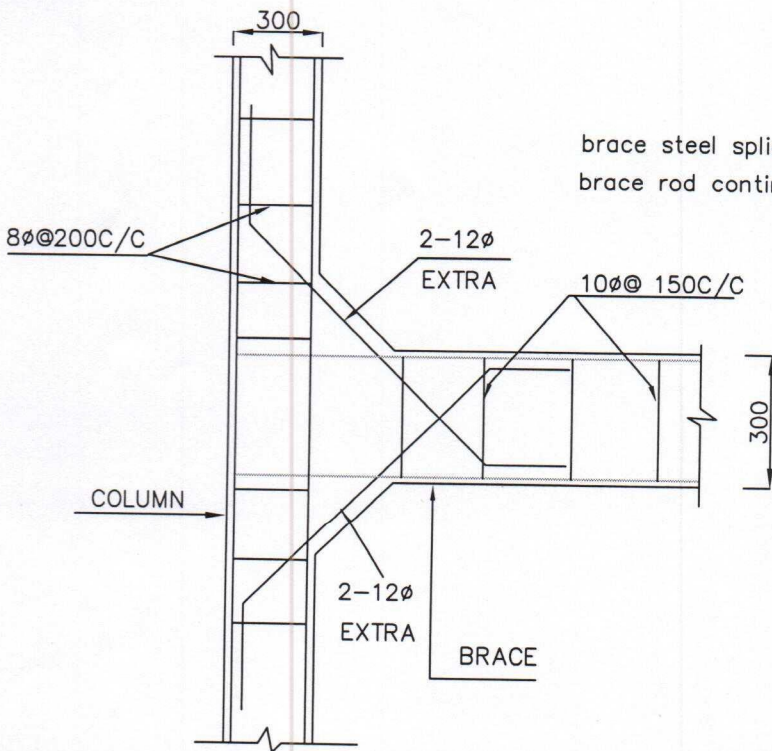
H APPROVED!!
 CE-I CE-II CE-III
 TOWSP, Hyderabad
 [Handwritten signatures and initials]



SECTION OF COLUMN



SECTION OF BRACE



brace steel spliced at middle section only
brace rod continued at support section

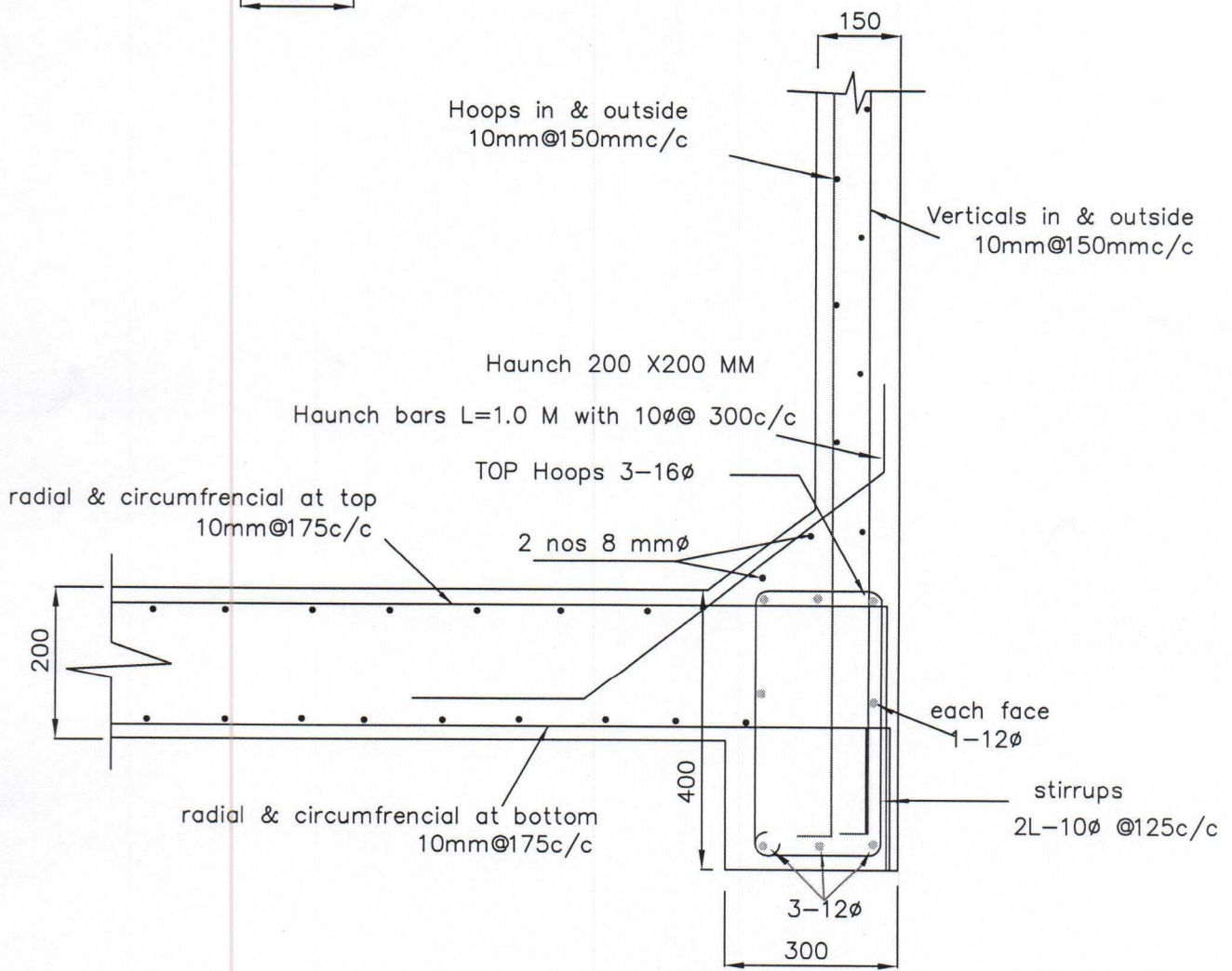
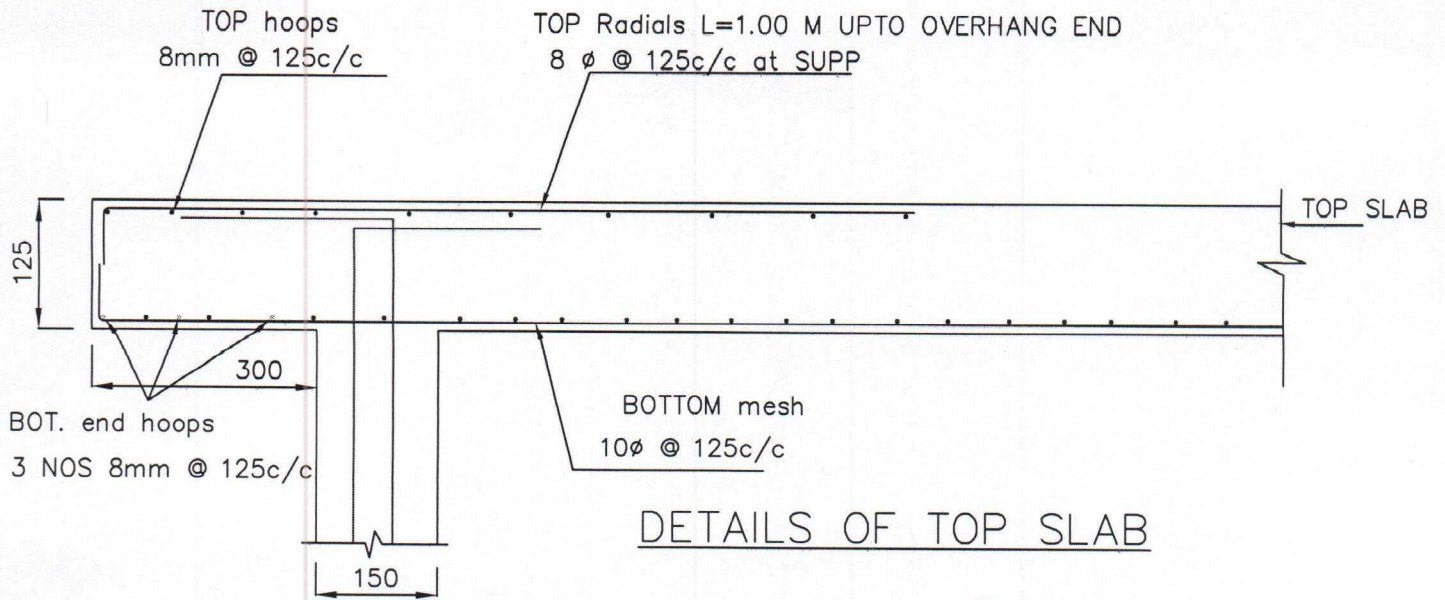
COLUMN BRACE JUNCTION

|| APPROVED ||

CE-I, CE-II, CE-III
TD WSP, Hyderabad

11/4/2017

Government of Telangana.	
Rural Water Supply & Sanitation Department	
Construction of 10 KL capacity OHSR/OHBR 12m staging column type	
Scale: Not to scale	sheet: 2 of 8

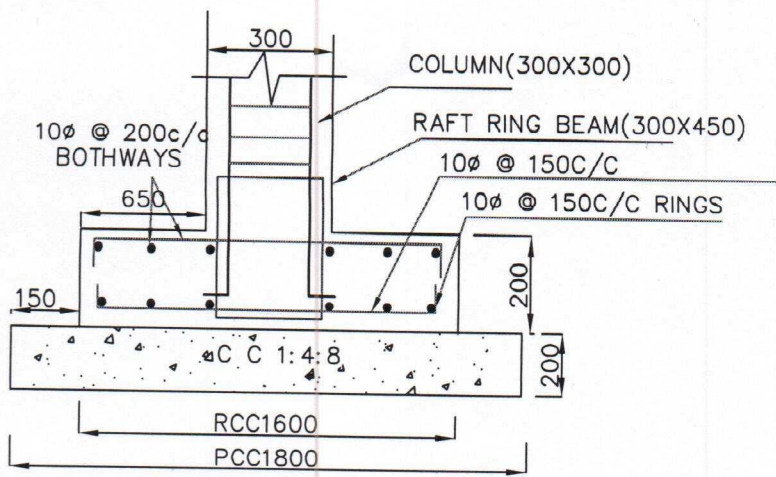


" APPROVED "

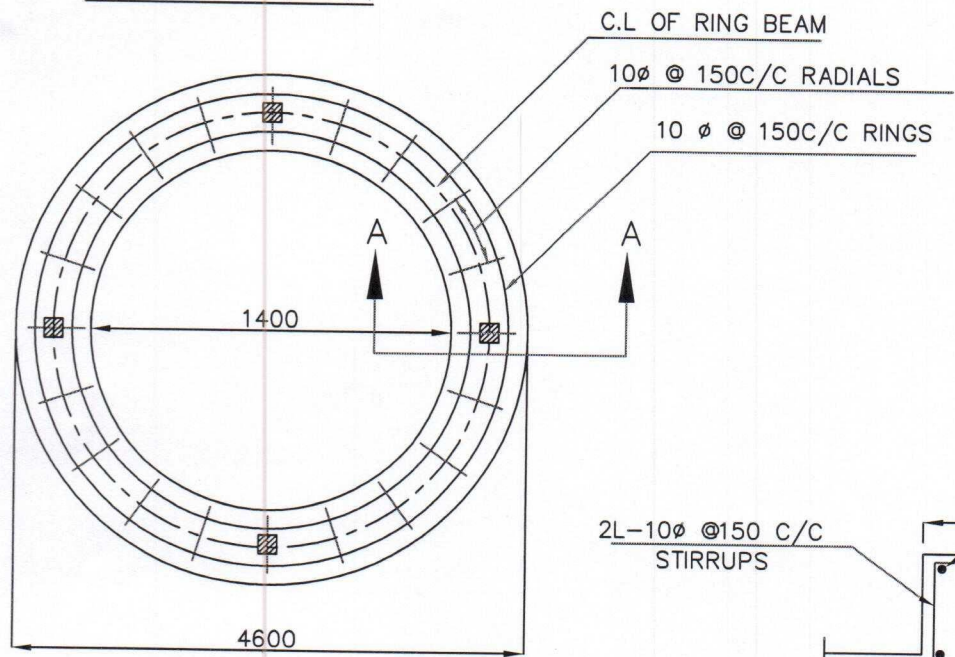
CE-I, CE-II, CE-III
TDWSP, Hyderabad

11/4/12
11/4/12
11/4/12
11/4/12
EE

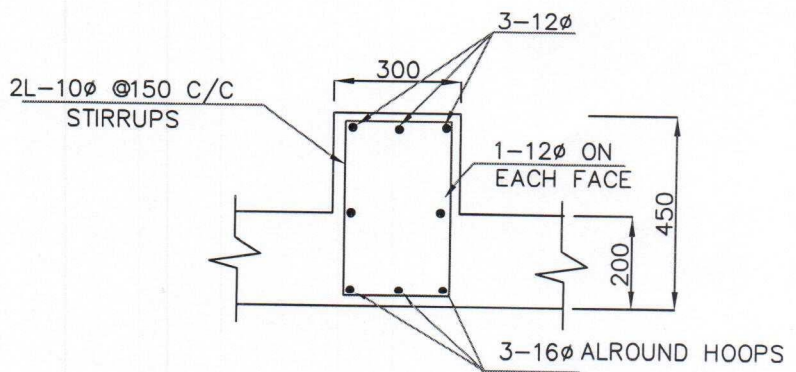
Government of Telangana.	
Rural Water Supply & Sanitation Department	
Construction of 10 KL capacity OHSR/OHBR 12m staging column type	
Scale: Not to scale	sheet: 3 of 8



SECTION A-A



C.L OF RING BEAM
 10φ @ 150C/C RADIALS
 10 φ @ 150C/C RINGS



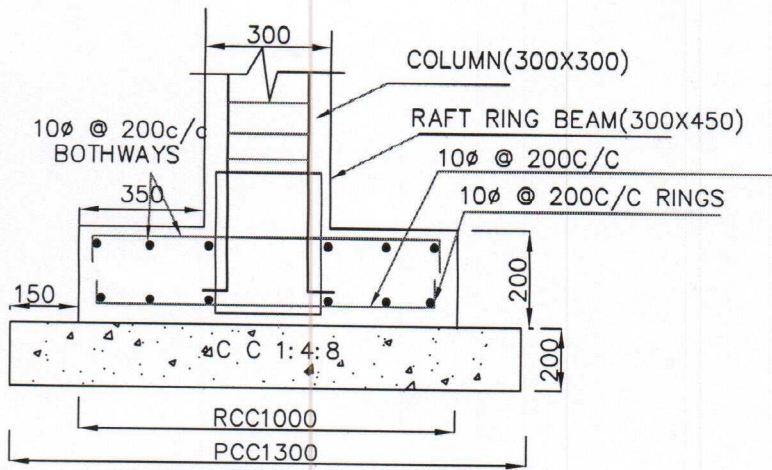
SECTION OF RING RAFT BEAM

BOTTOM REINFORCEMENT OF
 RING FOUNDATION
 SBC - 7.5t/m²

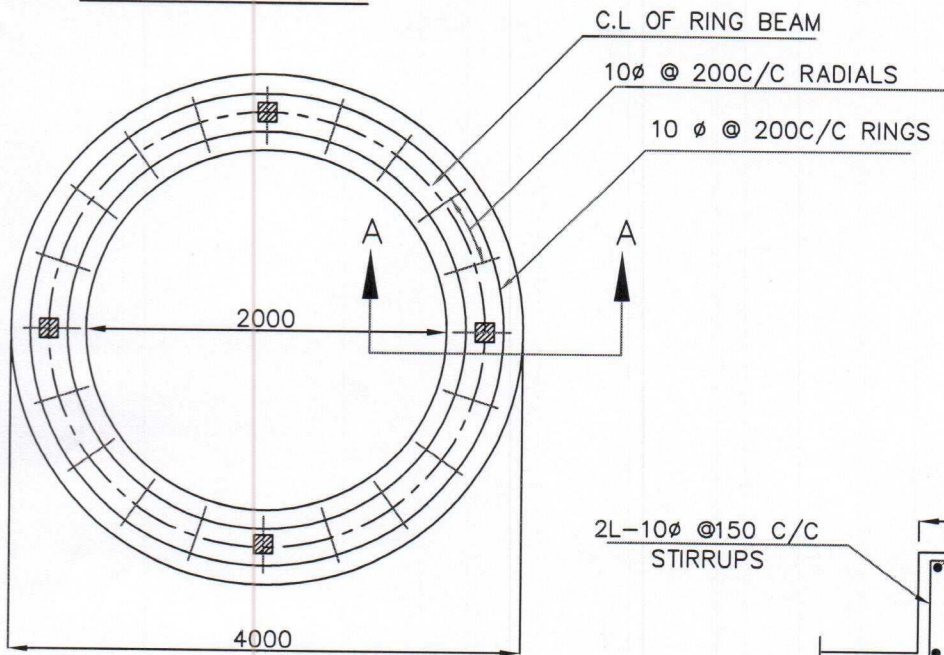
|| APPROVED ||

G. Narasimha
 CE-I, CE-II, CE-III
 TDWSP, Hyderabad
11/14/13
11/14 *11/14/13* *11/14* *11/14/13* *11/14/13*
 E E

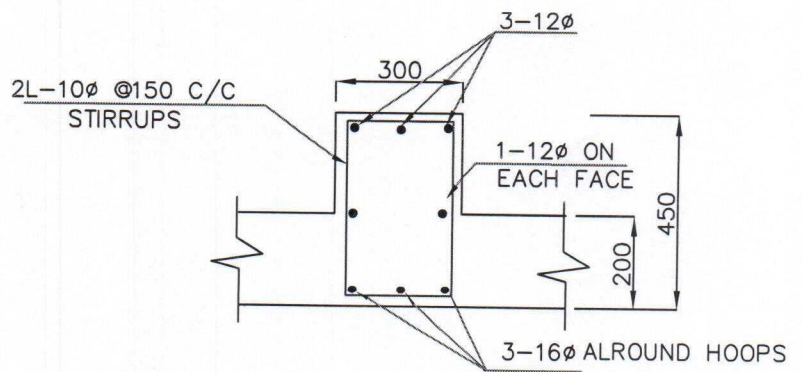
Government of Telangana.	
Rural Water Supply & Sanitation Department	
Construction of 10 KL capacity OHSR/OHBR 12m staging column type	
Scale: Not to scale	sheet: 5 of 8



SECTION A-A



BOTTOM REINFORCEMENT OF RING FOUNDATION
SBC - 20t/m²

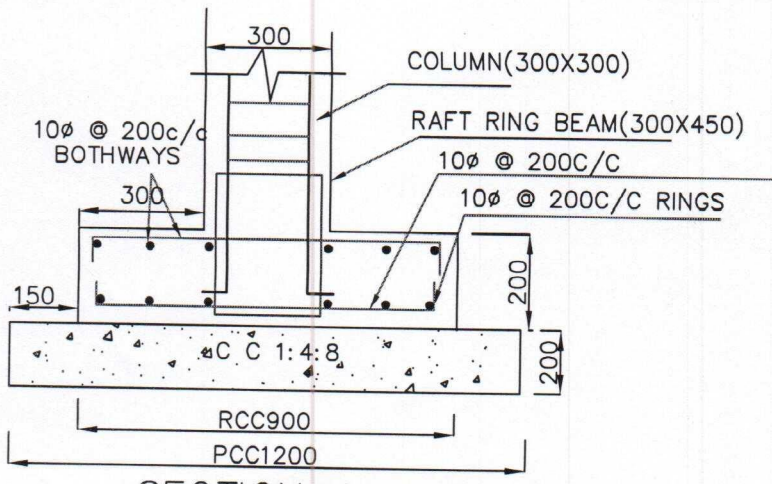


SECTION OF RING RAFT BEAM

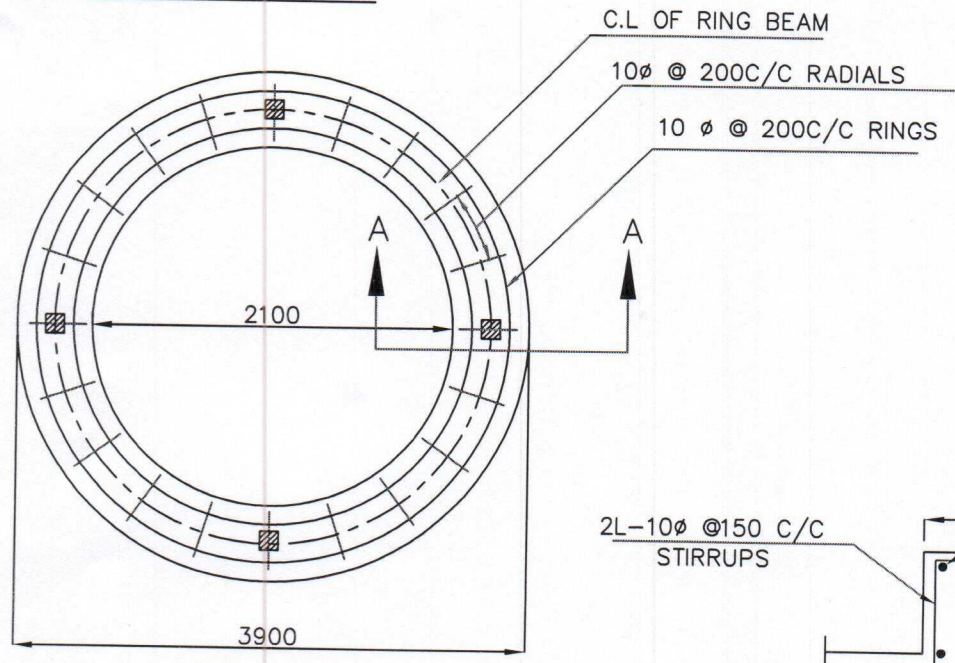
|| APPROVED ||

CE-I, CE-II, CE-III
TDWSP, Hyderabad
11/14, 11/14, 11/14, 11/14, 11/14, 11/14

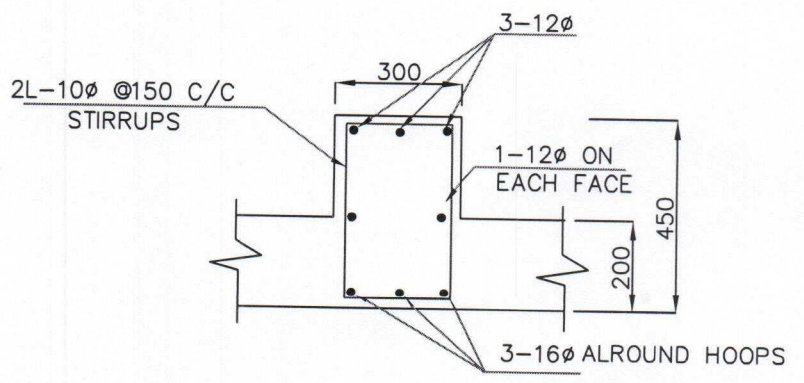
Government of Telangana.	
Rural Water Supply & Sanitation Department	
Construction of 10 KL capacity OHSR/OHBR 12m staging column type	
Scale: Not to scale	sheet: 7 of 8



SECTION A-A



BOTTOM REINFORCEMENT OF RING FOUNDATION
SBC - 30t/m²



SECTION OF RING RAFT BEAM

|| APPROVED ||

CE-I, CE-II, CE-III
 TDWSP, Hyderabad
 11/4/12, 11/9/12, 11/9/12

Government of Telangana.	
Rural Water Supply & Sanitation Department	
Construction of 10 KL capacity OHSR/OHBR 12m staging column type	
Scale: Not to scale	sheet: 8 of 8